

## FEATURES

- Quick installation and connection to systems: filter and regulator functions in a "single unit"
- Light weight and robust design for installation on piping systems

## GENERAL

<b>Fluid</b>	Air or inert gas
<b>Maximum inlet pressure (bar) P1 / at 23°C</b>	12
/ at 50°C	10
<b>Adjustable pressure ranges (bar) P2</b>	0,5 to 8
<b>Hysteresis (bar)</b>	0,35
<b>Ambient temperature range (°C)</b>	+0 to +50
<b>Max. flow (Qv at 6,3 bar)</b>	See table below and chart
<b>Regulator</b>	Self-relieving



## CONSTRUCTION

<b>Filtering capacity</b>	25 µm (5 µm on request)
<b>Semi-automatic drain</b>	Operating pressure: min. 1,2 bar
<b>Pressure control knob</b>	Locking "pull-turn-push"
<b>Regulating device</b>	With rolling diaphragm (very low hysteresis)

## SPECIFICATIONS

pipe size	bowl capacity	adjustable pressure range	flow			gauge diameter	catalogue number	
			inlet pressure P1	Setpoint P2 = 6,3 bar ΔP = 1 bar			semi-automatic drain	
				(bar)	l/min (ANR)		dm³/s (ANR)	with 0-10 bar gauge
(G)	(cm³)	(bar)	(bar)					
<b>25 µm - Polycarbonate bowl WITH protector <sup>(1)</sup></b>								
1/8	28	0,5 to 8	8	550	9	40	<b>34225203</b>	<b>34225201</b>
1/4	28	0,5 to 8	8	650	11	40	<b>34225204</b>	<b>34225202</b>
<b>25 µm - Polycarbonate bowl WITHOUT protector</b>								
1/8	28	0,5 to 8	8	550	9	40	<b>34225123</b>	<b>34225121</b>
1/4	28	0,5 to 8	8	650	11	40	<b>34225124</b>	<b>34225122</b>

<sup>(1)</sup> Adjustment range 0,2 to 3 bar and other values on request.

## INSTALLATION

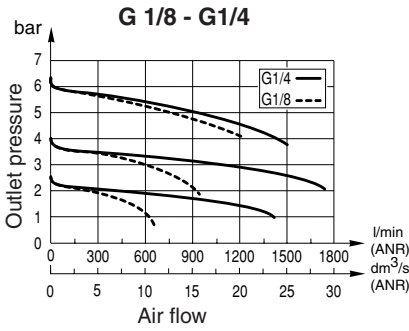
- Systems must be installed with the bowls in vertical position (at the bottom)
- Air flow direction indicated by arrow and "IN" - "OUT" marking on body
- Use an alkaline solution (soapy water) and not a solvent for cleaning the polycarbonate bowls and sight glasses

## ACCESSORIES (See Accessories pages)

**OPTIONS**

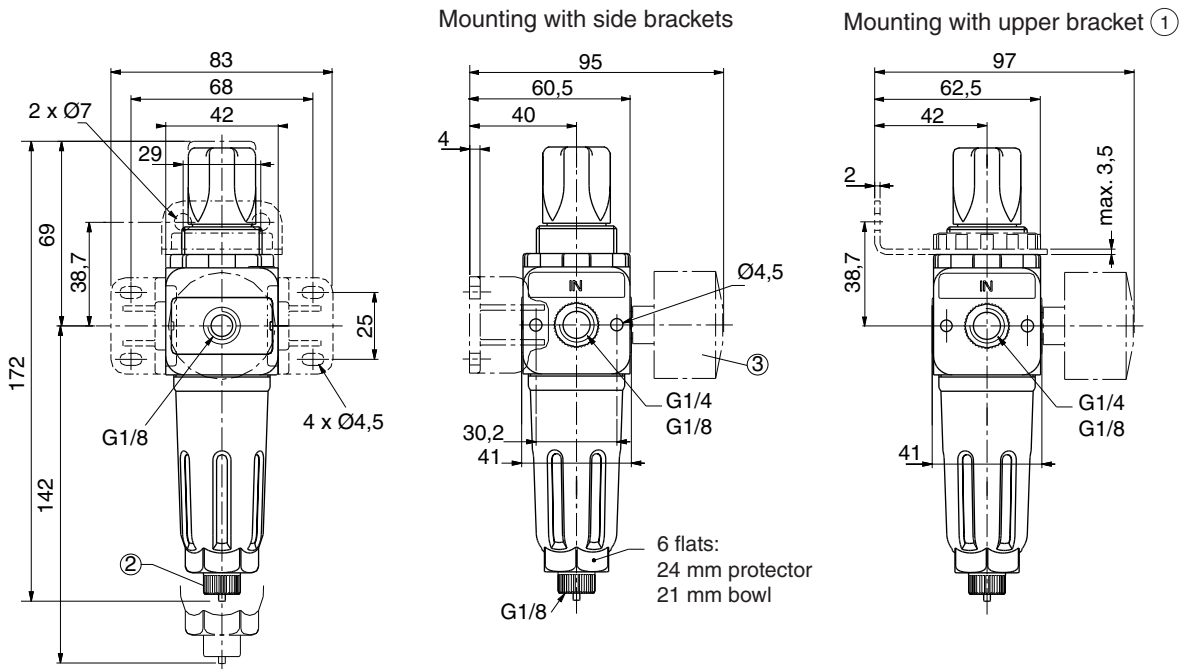
<ul style="list-style-type: none"> <li>Manual drain, code: <b>662563</b></li> <li>Equipment for use in potentially explosive atmospheres caused by dusts or gases (ATEX Directive 2014/34/EU)</li> </ul>			
<b>zones</b>	<b>classification</b>	<b>gas group</b>	<b>ATEX option code</b>
2-22	II 3GD c T85°C (T6)	IIA-IIIB-IIC	<b>612077</b>
1-21	II 2GD c IIB T85°C (T6)	IIB	<b>612076</b>

**PRESSURE LOSS VERSUS AIR FLOW CURVE**



**DIMENSIONS (mm), WEIGHT (kg)**

Weight: 0,190



- ① Mounting with top bracket (accessory) and mounting ring
- ② Semi-automatic drain, connectable to G1/8 port

- ③ 40 mm dia. pressure gauge